

AI09F Series 4G Dynamic Face Recognition Terminal



Product Features

1. CPU: 1.2G Dual-Core ARM Cortex-A, NPU 0.6T computing power, AI CPU
2. Real 2MP dual-lens wide dynamic camera, supports recognition under strong light and low light
3. Supports simultaneous recognition of up to 5 people, face tracking and face capture
4. Ultra-fast recognition: face recognition time < 0.2 second
5. Supports liveness detection and dual-camera anti-spoofing, prevents photo and video spoofing
6. Supports face, card, password verification, and multi-modal verification (face + card, etc.)
7. 5-inch IPS touch screen, resolution 1280*720
8. Supports TTS voice broadcast (Chinese, English)
9. Supports Chinese and English T9 input method
10. Supports offline schedule editing and report export via USB flash drive
11. Professional access control functions: time period control, group authorization, user validity period
12. Supports cloud platform management
13. Equipped with LED and infrared fill lights for night recognition
14. Supports desktop placement and wall-mounted installation
15. Built-in 4G communication

Application Scenarios

AI09F Series 4G Dynamic Face Recognition Terminal is widely used for attendance and access control in construction sites, mines, factories, and outdoor areas without stable TCP/IP or Wi-Fi coverage.

Product Specifications

Hardware Parameters

- CPU: 1.2G Dual-Core ARM Cortex-A7
- NPU: 600G (0.6T) computing power
- RAM: 256M DDR3L
- ROM: 4G EMMC
- Camera: 2MP WDR color camera + 2MP infrared camera, FOV 75°
- Fill Light: High-brightness LED + dual high-power infrared fill lights
- Display: 5-inch IPS touch screen
- Resolution: 1280*720
- Input: Touch virtual keyboard
- Communication: TCP/IP, Wi-Fi (optional), 4G
- FRR: $\leq 0.1\%$
- FAR: $\leq 0.001\%$
- Dimensions: 155mm × 155mm × 25mm
- Power: DC 12V/2A
- Operating Temperature: -15°C ~ 60°C

Firmware Parameters

- Operating System: Linux 3.10
- Language: 20 languages including Chinese, English
- User Capacity: 30,000
- Face Capacity: 10,000
- Fingerprint Capacity: 20,000
- Card Capacity: 30,000
- Password Capacity: 30,000
- Transaction Logs: 500,000
- Verification Mode: Face, Card, Password, Face+Card
- Recognition Mode: 1:1, 1:N
- Display Content: Name, ID number

- Recognition Speed: < 0.2 second
- Liveness Detection: Dual-camera anti-spoofing (anti-photo / anti-video)
- Recognition Distance: 0.5–2.5m (dynamic); 0.5–1.5m (with liveness)

Interface Parameters

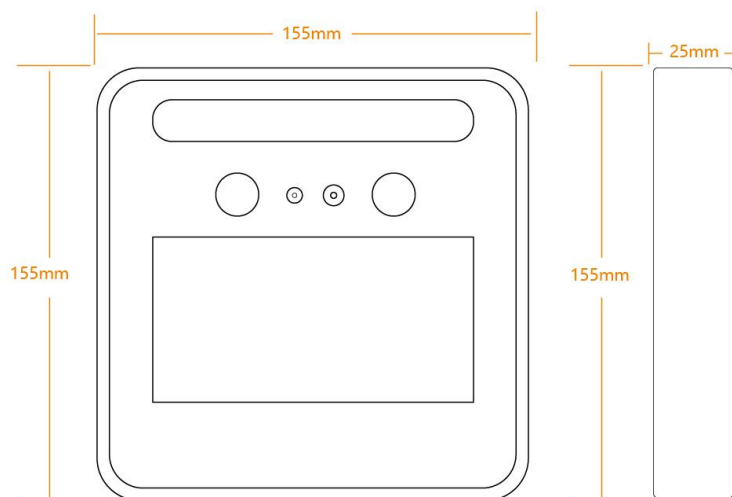
- USB port: 1 channel
- Relay output: 1 channel
- Exit button: 1 channel
- Wiegand output: WG26 / WG34
- Doorbell function: Supported

Cloud Platform

The cloud platform integrates HR, attendance, access control, and visitor management.

- High-speed Aliyun server with high security
- Real-time data synchronization
- Multi-device centralized management
- Mobile APP for attendance checking and remote door unlock
- QR code visitor access support

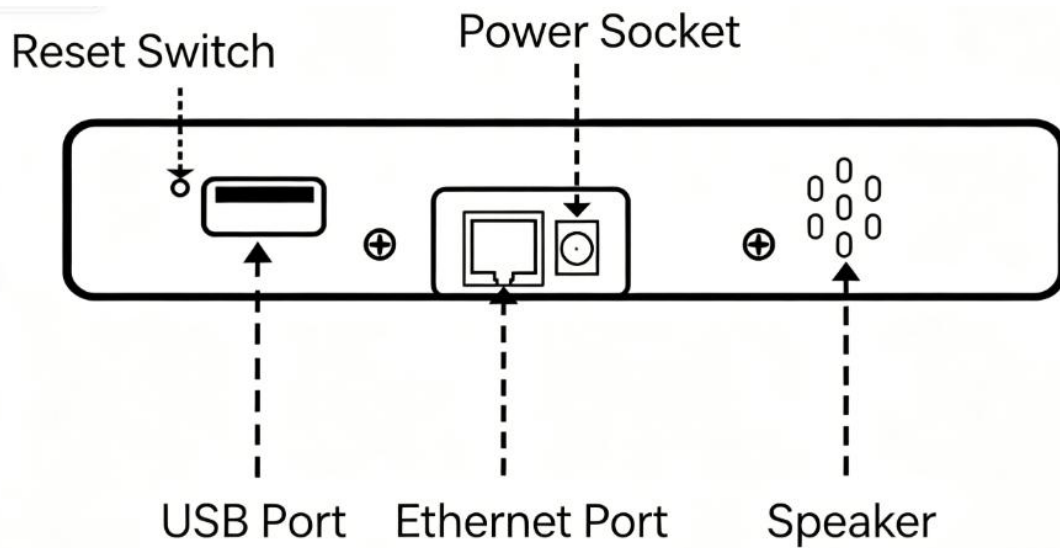
Dimensions



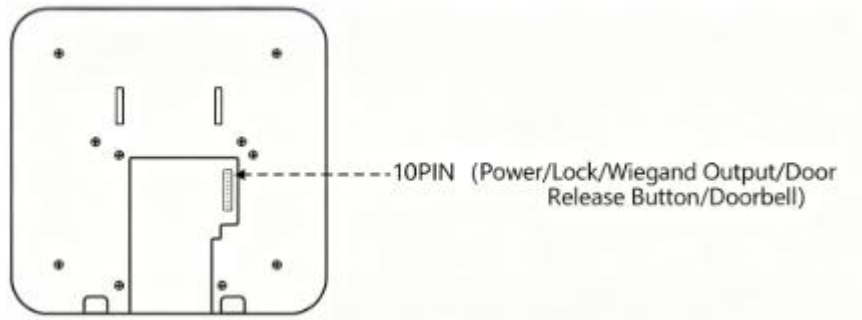


Interface Diagram

(1) Bottom Interface Diagram



(2) Back Interface Diagram



Product Actual Photos

